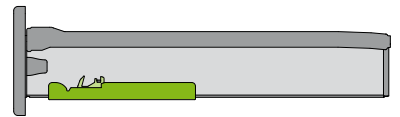
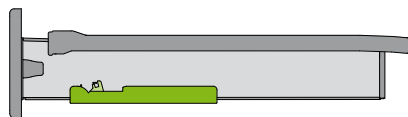
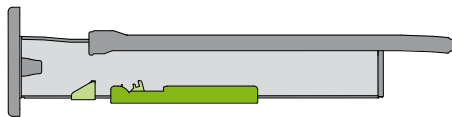


# *SlowMotion Zeta<sup>sd</sup>*



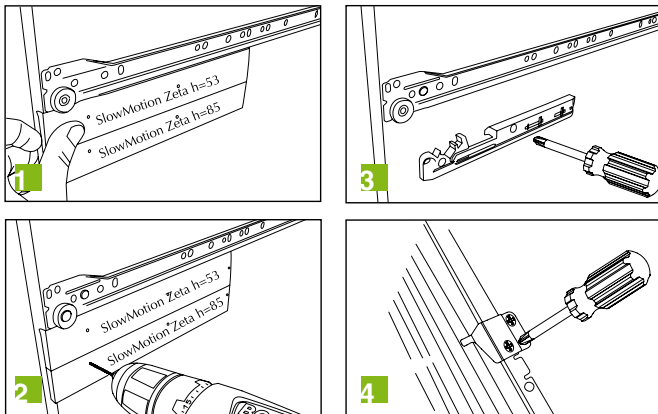
*Damped self-closing  
for Uniset-drawers*



FORMENTI &  
GIOVENZANA

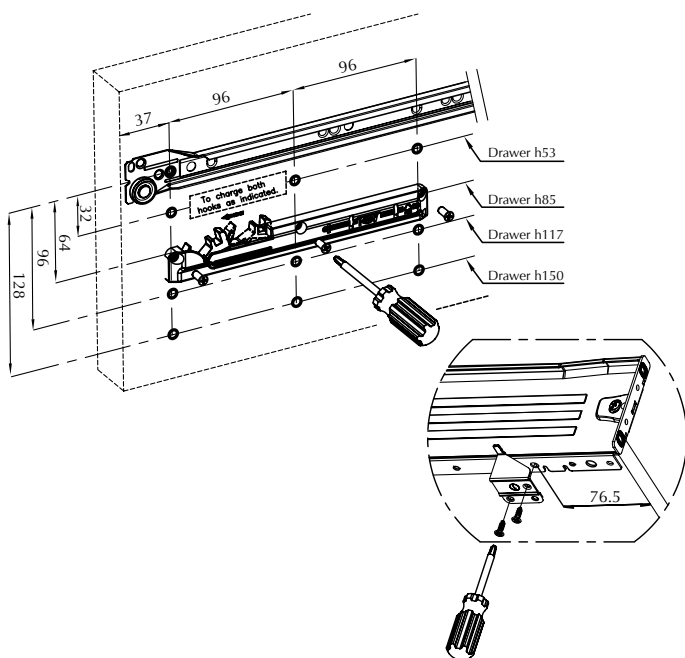


**SlowMotion Zeta<sup>sd</sup>** is a fully integrated dampened self-closing mechanism and confers to the Uniset single wall drawer a strong image boost at a fraction of the cost of a double-wall drawer. The accessory is a true add-on and is retrofit able to all the heights and depths of the UNISET drawer range. Supplied in bulk for industrial use or in skin-pack kit with screws and drilling template for end-user assembly, it is a must-have on single wall drawers.



### Many advantages:

- Easy to use add-on for single wall drawer system  
Uniset - retrofit able for existing installations
- Self closing with damping effect to confer high-end feel to steel drawer
- Silent drawer closing movement and guaranteed pull close of the drawer
- Anti-pinch safety for secure drawer closing
- Simple screw on assembly on cabinet and drawer



designation	package	code
SlowMotion Zeta SD skin-pack kit	50 kits per box	59.B710.21.Z0000.C1
SlowMotion Zeta add-on damper industrial pack	100RH + 100LH per box	59.0710.01.Z0X00.20
SlowMotion Zeta SD metal bracket industrial pack	100RH + 100LH per box	59.07SD.05.Z0000.20